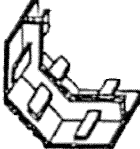
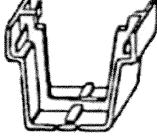
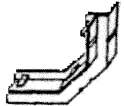

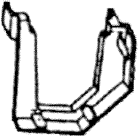



TAKE OUT ALLOWANCE DIMENSIONS

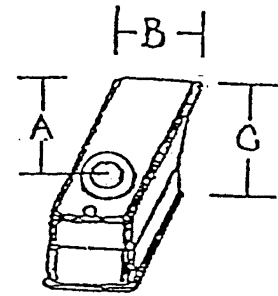
COUPLING "L" SERIES		COUPLING "U" SERIES	
			
CJ100L00	1/8"	CJ100U00	1/8"
CJ125L00	1/8"	CJ125U00	1/8"
CJ200L00	1/8"	CJ200U00	1/8"
CJ250L00	1/8"		

REDUCING COUPLING "L" TO "L"		REDUCING COUPLING "U" TO "U"	
			
LR125L10	1/8"	LR125U10	1/8"
LR200L10	1/8"	LR200U10	1/8"
LR200L25	1/8"	LR200U25	1/8"
LR250L20	1/8"		

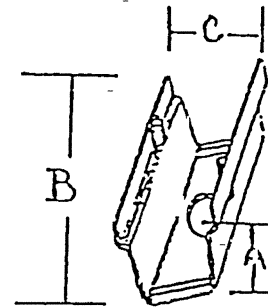
TRANSITION COUPLING "L" x "U"		TRANSITION COUPLING "U" x "L"	
			
LT100L00	1/8"	LT100U00	1/8"
LT125L00	1/8"	LT125U00	1/8"
LT200L00	1/8"	LT200U00	1/8"
LT125L10	1/8"	LT125U10	1/8"
LT125L20	1/8"	LT125U20	1/8"
LT200L25	1/8"	LT200U25	1/8"
LT250L20	5/16"	LT200U250	5/16"

(Take Out Allowance Dimensions Cont.)



Sprinkler Housing – L	A	B	C
SH-100L-00, SH-100L-01, SH-100L-02, SH-100L-DS	5"	2-1/4"	2-1/2"
SH-125L-00, SH-125L-01, SH-125L-02, SH-125L-DS	6"	2-1/2"	3-1/4"
SH-200L-00, SH-200L-01, SH-200L-02, SH-200L-DS	6-1/8"	2-1/2"	3-1/4"
SH-250L-00, SH-250L-01, SH-250L-02	7"	2-7/8"	4-1/2"

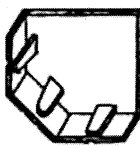
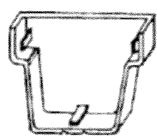


Sprinkler Housing – U	A	B	C
SH-100U-00, SH-100S-00	2-1/2"	5"	2-5/16"
SH-125U-00, SH-125S-00	2-1/2"	5"	3"
SH-200U-00, SH-200S-00	2-1/2"	5"	3-7/8"

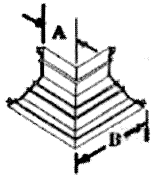



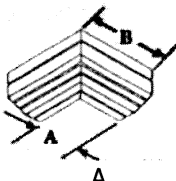
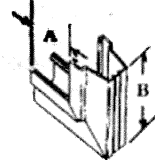
***Take-out for Shield is 1/8" on either side of Sprinkler Housing Component.**

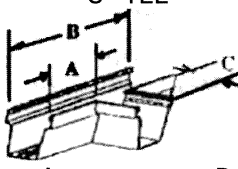
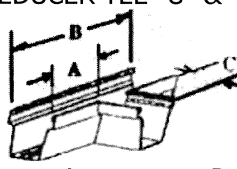
WALL FLANGE "L"		WALL FLANGE "U"	
			
WF-100L-00	1/8"	WF-100U-00	1/8"
WF-125L-00	1/8"	WF-125U-00	1/8"
WF-200L-00	1/8"	WF-200U-00	1/8"

END CAP "L"		END CAP "U"	
			
EC-100L-00	1/8"	EC-100U-00	1/8"
EC-125L-00	1/8"	EC-125U-00	1/8"
EC-200L-00	1/8"	EC-200U-00	1/8"
EC-250L-00	1/4"		


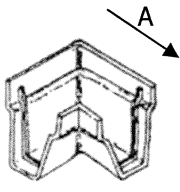
(Take Out Allowance Dimensions Cont.)

INSIDE CORNER "L"			INSIDE CORNER "U"		
					
	A	B	A	B	
IC100L90	5-1/2"	7- 7/8"	IC100U90	5-1/2"	7-3/4"
IC125L90	5-1/2"	8-1/2"	IC125U90	5-1/2"	8-3/8"
IC200L90	5-1/2"	9-1/4"	IC200U90	5-1/2"	9-1/4"
IC250L90	5-1/2"	11-1/4"			

OUTSIDE CORNER "L"			OUTSIDE CORNER "U"		
					
	A	B	A	B	
OC100L90	5-1/2"	7- 7/8 "	OC100U90	5-1/2"	7-3/4"
OC125L90	5-1/2"	8-1/2"	OC125U90	5-1/2"	8-3/8"
OC200L90	5-1/2"	9-1/4"	OC200U90	5-1/2"	9-1/4"
OC250L90	5-1/2"	11-1/4"			

"U" TEE				REDUCER TEE "U" & "U"			
							
	A	B	C	A	B	C	
TJ100U00	5-3/16"	13"	5-3/16"	TJ125U10	5-3/16"	13"	5-3/16"
TJ125U00	5"	13"	5"	TJ200U25	5"	13"	5"
TJ200U00	5"	14-1/4"	5"				

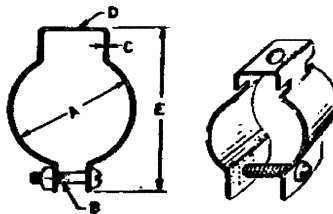
(Take Out Allowance Dimensions Cont.)

TRANSITION TEE "L" X "U"			90° ELBOW "U"		
			A=Apex to end of elbow arm 		
	A	B	C		A
TT100L00	5-3/16"	13"	5-3/16"	EB-100U-90-00	8 1/8" "
TT125L00	5"	13 3/4"	5"	EB-125U-90-00	8 1/2"
TT200L00	5"	14 1/4"	5"	EB-200U-90-00	9 1/4"
TT125L10	5-3/16"	13"	5-3/16"		
TT200L25	5"	13"	5"		
TT250L20	5"	14 1/4"	5"		

HUGGER HANGER DIMENSIONS

For STEEL PIPING (cadmium plated)

SIZE	A	B	C	D	E
3/4"	1.050"	1/4" x 1"	1-1/8" x .050"	3/8"	2-3/16"
1"	1.315"	1/4" x 1"	1-1/8" x .050"	3/8"	2-1/2"
1- 1/4"	1.660"	1/4" x 1"	1-1/8" x .050"	3/8"	2-15/16"
1- 1/2"	1.900"	1/4" x 1-1/4"	1-1/8" x .065"	3/8"	3-1/4"
2"	2.375"	1/4" x 1-1/4"	1-1/8" x .065"	3/8"	3-1/2"
2-1/2"	2.875"	1/4" x 1-1/4"	1-1/8" x .083"	3/8"	4-1/8"

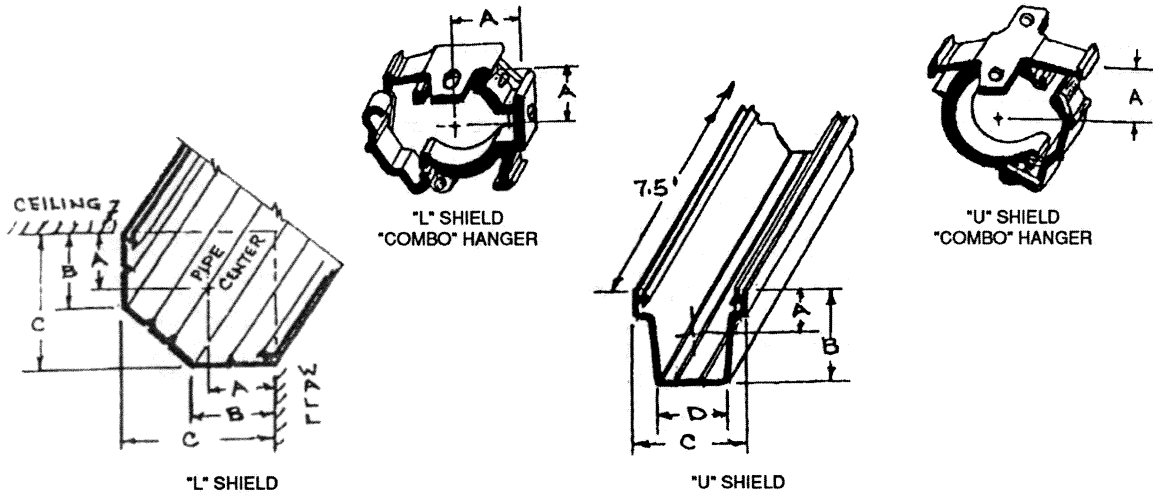


(Hugger Hanger)

For COPPER TUBING (copper plated)

SIZE	A	B	C	D	E
3/4"	0.875"	1/4" x 1"	1-1/8" x .050"	3/8"	2-1/8"
1"	1.125"	1/4" x 1"	1-1/8" x .050"	3/8"	2-3/8"
1- 1/4"	1.375"	1/4" x 1"	1-1/8" x .050"	3/8"	2-5/8"
1- 1/2"	1.625"	1/4" x 1-1/4"	1-1/8" x .050"	3/8"	2-7/8"
2"	2.125"	1/4" x 1-1/4"	1-1/8" x .065"	3/8"	3-3/8"
2-1/2"	2.625"	1/4" x 1-1/4"	1-1/8" x .083"	3/8"	3-9/16"

"Pipe Hanger Spacing"



Pipe Sizes								
				3/4" & 1"				
				1 1/4"				
				1 1/4" & 1 1/2"				
				1 1/2" & 2"				
				2"				

Part#	A	B	C
SD-100L	1"	1 3/8"	2 3/8"
SD-125L	1 5/16"	1 3/4"	3"
SD-200L	1 11/16"	2 3/16"	3 3/4"

Part#	A	B	C	D
SD-100U	1"	2 1/4"	2 5/8"	1 11/16"
SD-125U	1 5/16"	2 7/8"	3"	2 1/8"
SD-200U	1 11/16"	3 11/16"	4 1/4"	2 15/16"

Special Fabrications Upon Request

Call today, **(800) 873-0894** to learn how the DecoShield® System can work for you.